

CONNECTION METHODS



LumiSource[®]

CONNECTING TO GAME CONSOLES

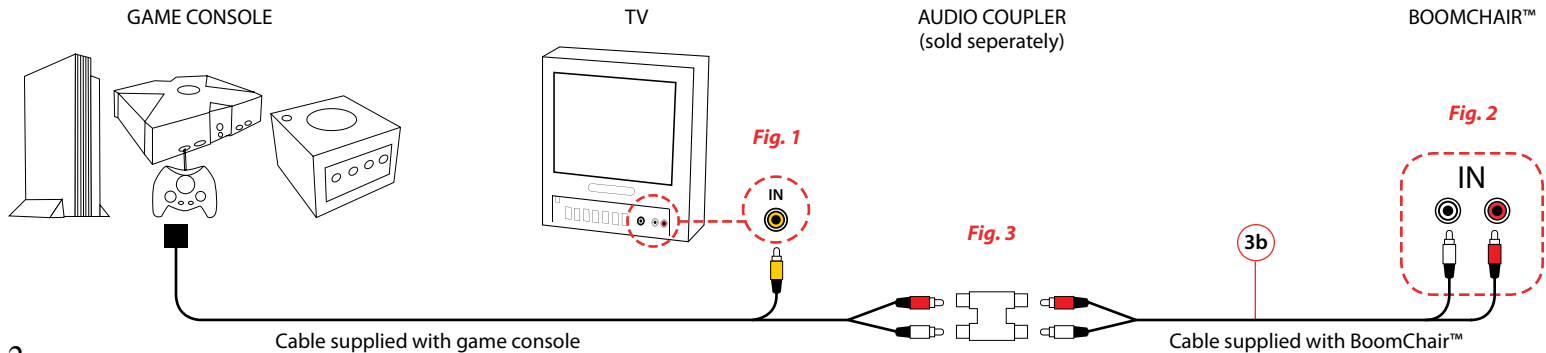
Note: All game consoles are supplied with a custom connector with yellow video out and RCA red/white audio out.

- Step 1: Plug yellow composite video cable from game console into video input of TV. (Fig. 1)
- Step 2: Plug Red/White RCA cord from game console into RCA INPUT of BoomChair™. (Fig. 2)

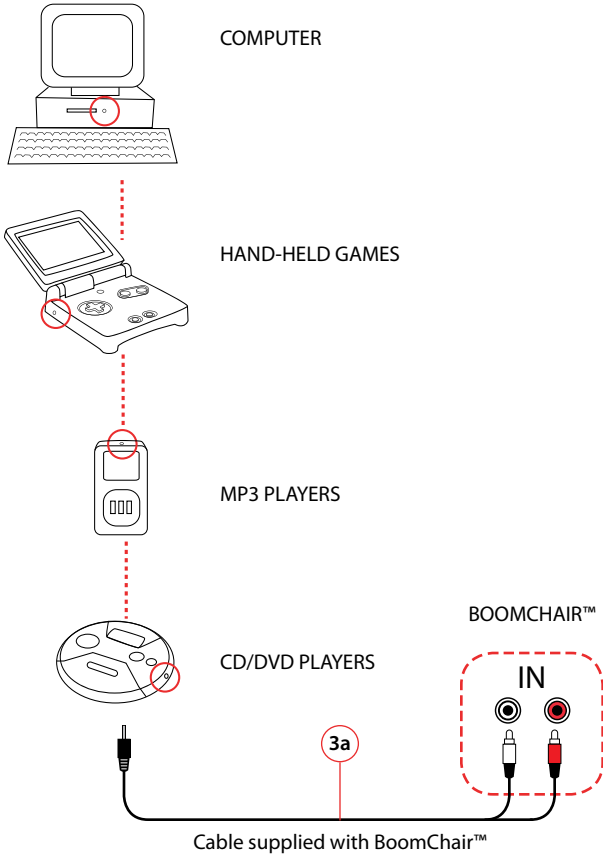
*Alternate Connection:
Connect directly from the TV Audio Out to the BoomChair™ Audio Input using the RCA audio cords provided.*

Note: It may be necessary to extend your BoomChair™ further away from your TV or console. Here's how. (Fig.3)

- Step 1: Connect Audio Coupler (not included) to Red/White RCA cord from game console.
- Step 2: Connect one end of RCA cord (3b) into other end of Audio Coupler.
- Step 3: Connect other end of RCA cord (3b) into RCA INPUT of BoomChair™.



CONNECTING TO HAND-HELD GAMES, MP3 PLAYERS & CD/DVD PLAYERS



Step 1: Plug the single end of the RCA cord (3a, supplied with BoomChair™) into the headphone jack of your device.

Step 2: Plug the pair of RCA cords into RCA INPUT on the BoomChair™.

③a = headphone jack to audio left & right channel connectors.

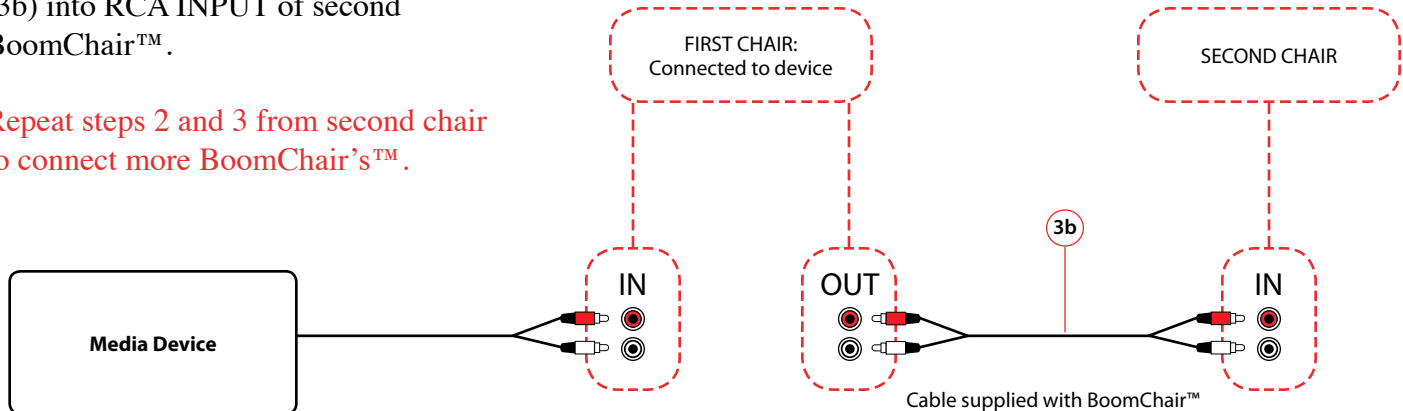
DAISY CHAINING CHAIRS WITH AUDIO OUTPUT PORTS : UP TO 4 CHAIRS

Step 1: Connect BoomChair™ to any media device as described on pg. 2. This is the first chair.

Step 2: Connect one end of RCA cord (3b, supplied with chair) into RCA OUTPUT of first BoomChair™.

Step 3: Connect other end of RCA cord (3b) into RCA INPUT of second BoomChair™.

Repeat steps 2 and 3 from second chair to connect more BoomChair's™.



CONNECTING CHAIRS WITHOUT AUDIO OUTPUT PORTS : UP TO 4 CHAIRS

Note: You will need two RCA “Y” adapters (sold separately) and two RCA cords (3b) to connect two BoomChairs

Step 1: Connect single end of first “Y” adapter to RED RCA plug coming from media device. (Fig.1)

Step 2: Connect single end of second “Y” adapter to WHITE RCA plug coming from media device. (Fig.2)

Step 3: Cord A (Fig.3): Connect RED plug to RED “Y” adapter and WHITE plug to WHITE “Y” adapter. Separate cords as necessary. Connect opposite end of cord to INPUT of first BoomChair™.

Step 4: Cord B (Fig.4): Connect RED plug to RED “Y” adapter and WHITE plug to WHITE “Y” adapter. Separate cords as necessary. Connect opposite end of cord to INPUT of second BoomChair™.

