

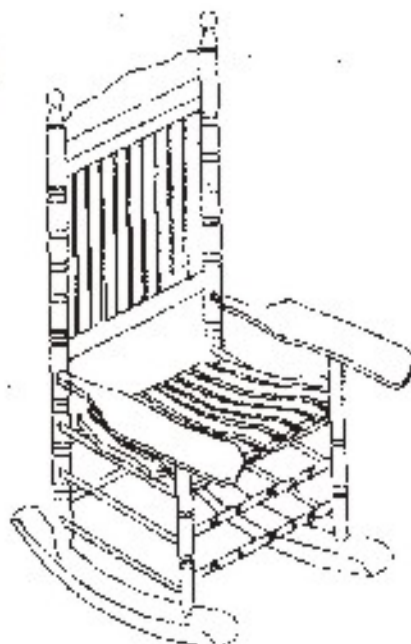
Sb1

TOOLS REQUIRED:

PHILIPS HEAD SCREWDRIVER. HAMMER (NOT PROVIDED)

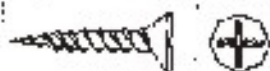
HEXAGON WRENCH (PROVIDED)

- ★ WEIGHT LIMITED: 220LBS
- ★ DO NOT SIT OR LEAN AGAINST ARMRESTS
- ★ SCREWS MUST BE TIGHTENED UP BE SURE TO TIGHTEN UP THE SCREWS IN ASSEMBLY



HARDWARE LIST

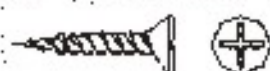
(A) WOOD SCREW 6 PCS



SIZE: 1-3/4" L

PHILIPS HEAD

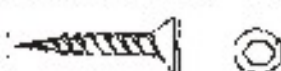
(B) WOOD SCREW 4PCS



SIZE: 1-1/2" L

PHILIPS HEAD

(C) WOOD SCREW 2 PCS



SIZE: 2"

HEXAGON HEAD

(D) GLUE 2 PCS



A&B GLUE MIX USED
(RED & BLUE GLUE MIX USED)

PARTS LIST

1. BACK FRAME 1PC



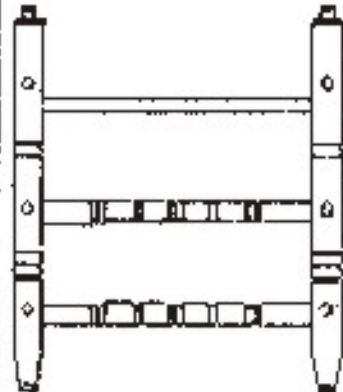
2. ARM 2PCS



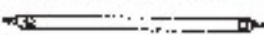
3. SEAT FRAME 1PC



6. FRONT FRAME 1PC



4. WOOD STICK W/ HOLES 2PCS



5. WOOD STICK (NO HOLE) 4PCS



7. CURVED SHAPE WOOD ROCKER 2PCS

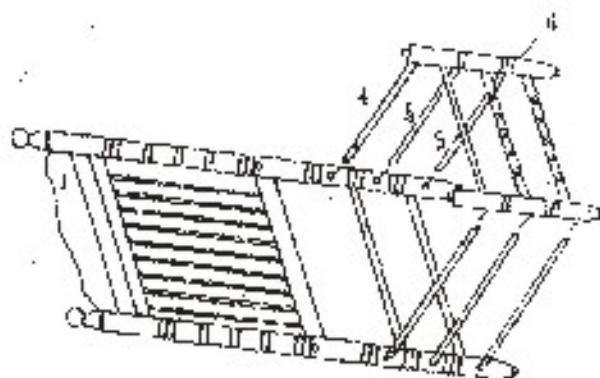


WOOD ROCKING CHAIR ASSEMBLY INSTRUCTION

Sh2

STEP 1.

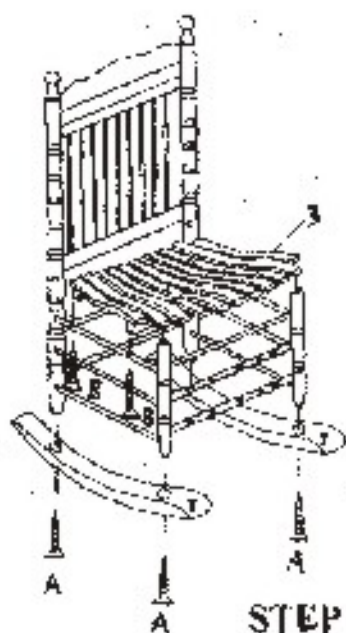
LAY THE BACK FRAME(1) ON SOFT AND CLEAN SURFACE WITH HOLES FACING UPWARDS. INSERT WOOD STICKS WHOLES(4) TO THE THIRD (COUNTING FROM BOTTOM TO TOP)HOLES OF THE BACK FRAME(1). BE SURE THE WIDER OPENING SCREW HOLES ON THE WOOD STICKS(4) ARE FACING DOWNWARD. THEN INSERT 4 PIECES WOOD STICKS(NO HOLE)(5) TO THE LOWER 4 HOLES OF THE BACK FRAME. ATTACH THE FRONT FRAME(6) TO THE WOOD STICKS THAT WERE JUST INSERTED ON THE BACK FRAME. BE SURE THE NARROW END OF FRONT FRAME ARE ON THE BOTTOM OF THE ROCKER.



STEP #1

STEP 2.

ATTACH THE CURVED SHAPE WOOD ROCKERS(7) TO THE BOTTOM OF BACK FRAME(1) AND FRONT FRAME(6) SCREW 4 PIECES WOOD SCREWS(A) THROUGH CURVED SHAPE WOOD ROCKERS(7) TO SECURE WOOD ROCKERS(7) ONTO BACK& FRONT FRAME. PLACE SEAT(3) ONTO WOOD STICKS WHOLES(4) AND SECURE BY USING WOOD SCREWS(B) THROUGH THE SCREW HOLES ON WOOD STICKS(4) TO SEAT FOR EASIER ASSEMBLY. YOU MAY NEED TO TURN WOODS STICKS(4) WITH SCREW HOLES SLIGHTLY FACING OUT WARDS. IT WOULD BE DIFFICULT FOR YOU TO SUREW IF THESE SCREW HOLES ON WOOD STICKS ARE FACING DOWNWARD VERTICALLY.



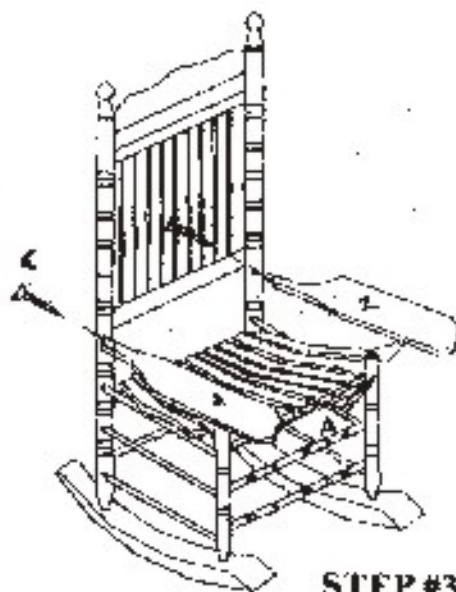
STEP #2

STEP 3.

PLACE WOOD ARM ONTO THE TOP OF THE FRONT FRAME(6) AND INSERT THE OTHER END OF WOOD ARM TO THE HOLES ON THE BACK FRAME(1) SECURE WOOD ARMS TO BACK FRAME BY USING WOOD SCREWS(C). AND USING WOOD SCREWS(A) TO SECURE WOOD ARMS TO FRONT FRAME. SEE ILLUSTRATION TO ENSURE RIGHT&LEFT ARM ARE ON THE CORRECT POSITION

TIGHTEN ALL WOOD SCREWS PROPERLY BEFORE USE.

TO ADD STABILITY OF ASSEMBLING APPLY SMALL AMOUNT OF MIXED GLUE A&B TO WOOD HOLES DURING ASSEMBLING



STEP #3

YOUR BEAUTIFUL
WOOD ROCKER IS
FINISHED AND READY
TO USE

