



1.888.880.4884

Assembly Instructions

ITEM Number : TLD005-1

Product Name: HOLDEN ROCKING CHAIR

PRE-ASSEMBLY PREPARATION:

- Please check all contents of this package before attempting to assemble the product.
- Read this Assembly Instructions in full before you begin to assemble.
- For ease of assembly, two people are recommended.
- Please use CAUTION AND CARE WHEN LIFTING the product to avoid personal injury and (or) damage to the product.
- Philip Screwdriver is required to complete the assembly that are not included with the product.
- Assembly time: approximately 30 minutes.
- The hardware packet contains SMALL ITEMS which should be KEPT AWAY FROM CHILDREN.
- Please contact Hayneedle's Customer Care Center: 1-888-880-4884 with concerns about missing or damaged components, or questions on assembly steps.

Panel and Fittings Identification:

	PARTS	Q' ty
A		1PC
B		1PC
C		1PC
D		1PC
E		1PC

1		Φ 1/4" * 1-1/2" L	2PCS
2		Φ 1/4" * 1-3/4" L	4PCS
3		Φ 1/4"	6PCS
4		#8 * 1-1/4" L	6PCS
5		4mm	1PC
6		Φ 14mm	6PCS

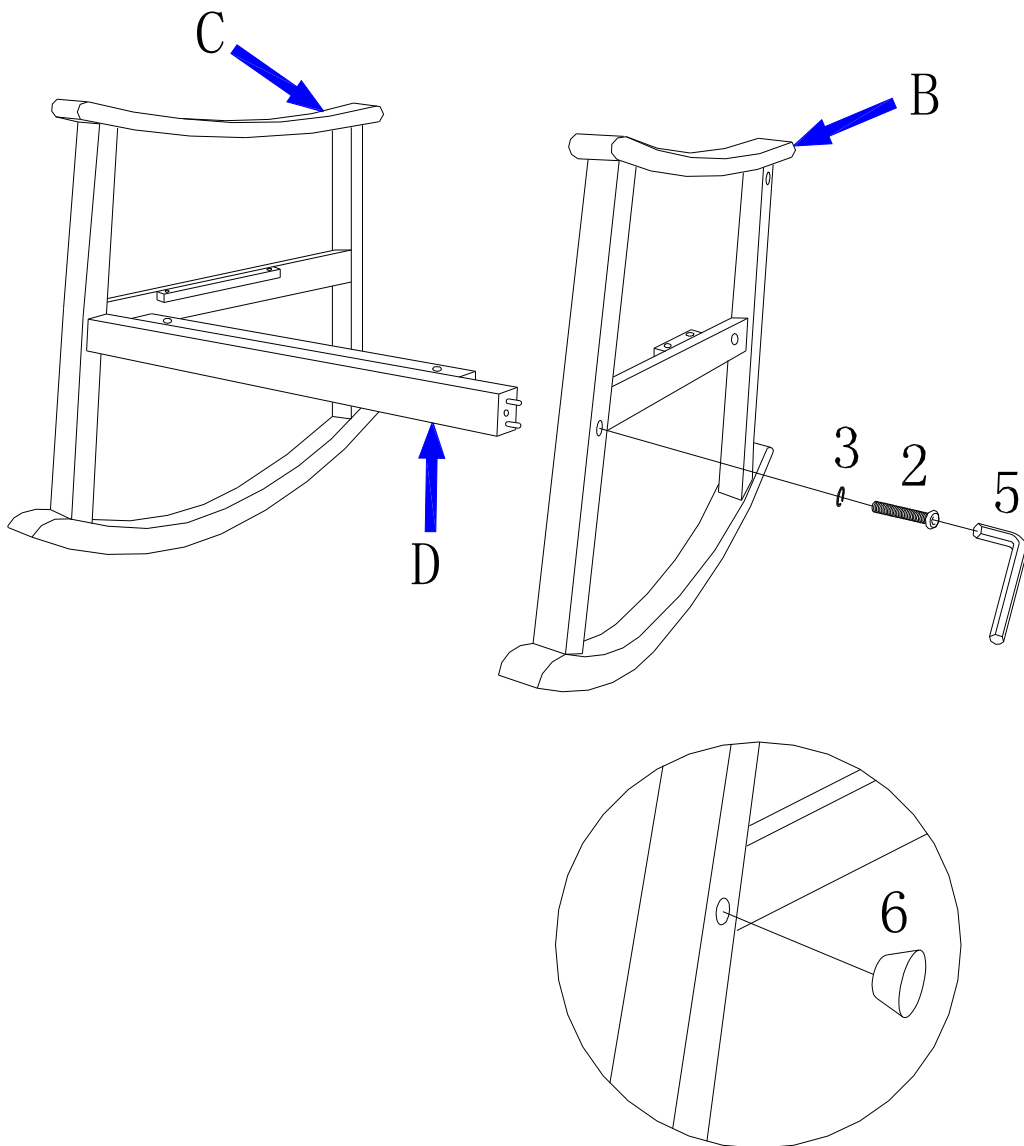
Note: Philip Screwdriver Required - Not Included

Step By Step Assembly Instructions

Step 1 :

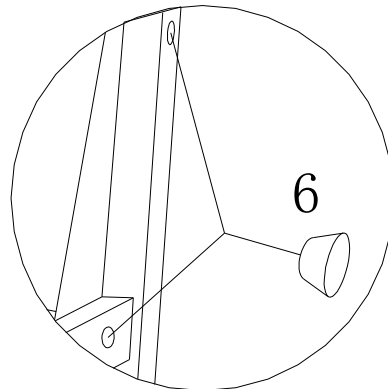
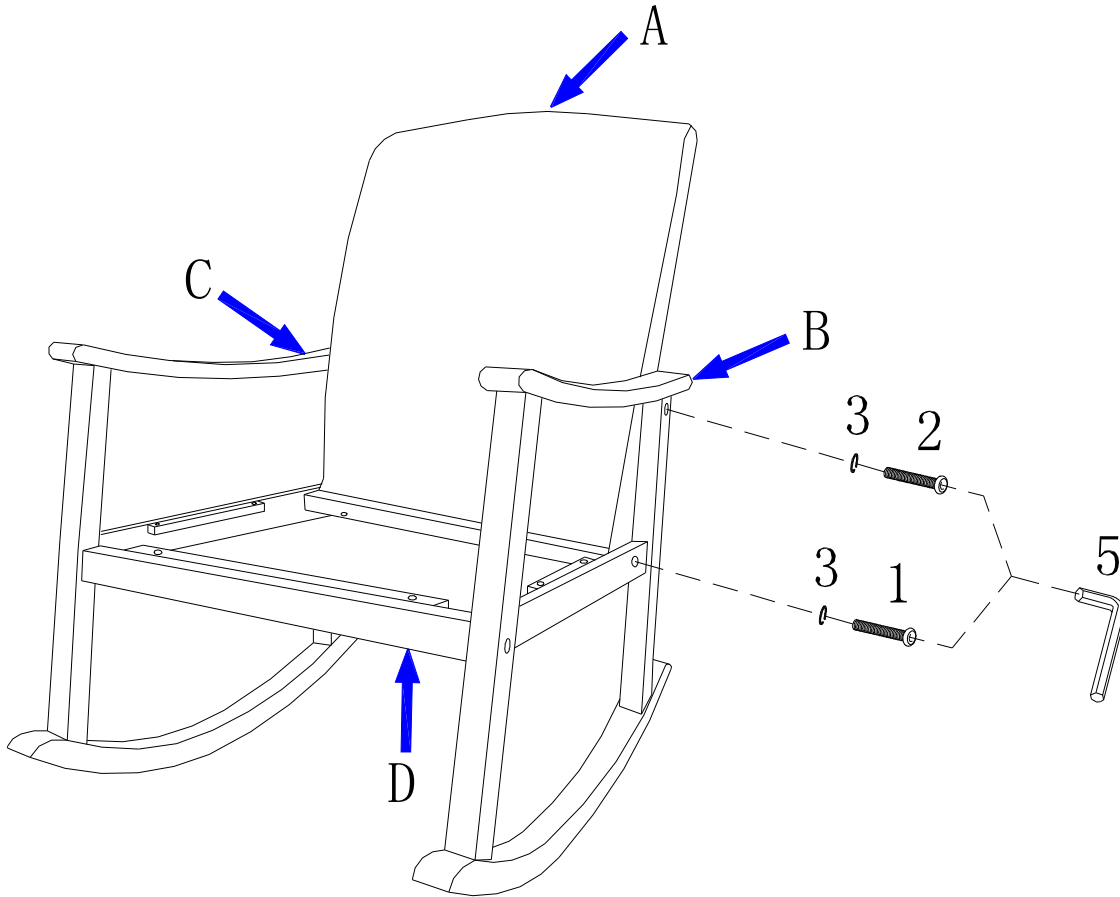
Secure the Stretcher (D) to Arm (B/C) with 2pcs Spring washer (3), 2pcs Bolt (2) by using Allen Key (5) clockwise. Cover exposed hole with 2pcs Wood Cap (6).

NOTE: Please DO NOT Tighten up the Stretcher E before assemble all other parts.



Step 2 :

Secure the Back (A) in place with 4pcs Spring washer (3), 2pcs Bolt (2) and 2pcs Bolt (1) by using Allen Key (5) clockwise. Cover exposed hole with 4pcs Wood Cap (6).



Step 3 :

Fix the Seat (E) onto seat frame with 6pcs Screw (4).

Level the chair and tighten all bolts securely

