

# Nursing Step Stool

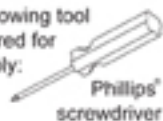
## Assembly Instructions

Item # 15101-15401

### HARDWARE

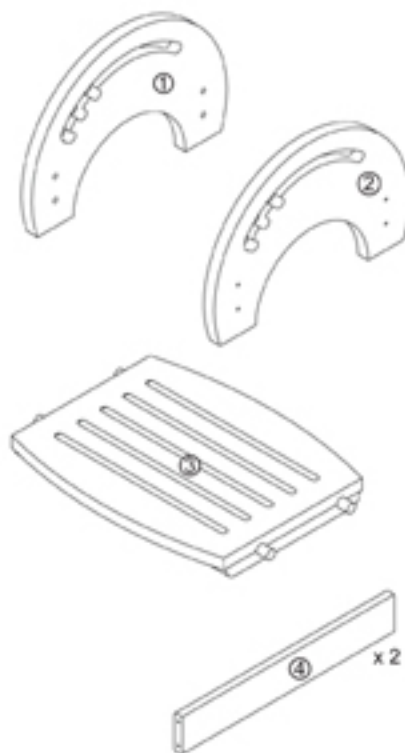
A. Screw  
x 8 pcs  
(1.5 inches / 38mm)

The following tool  
is required for  
assembly:

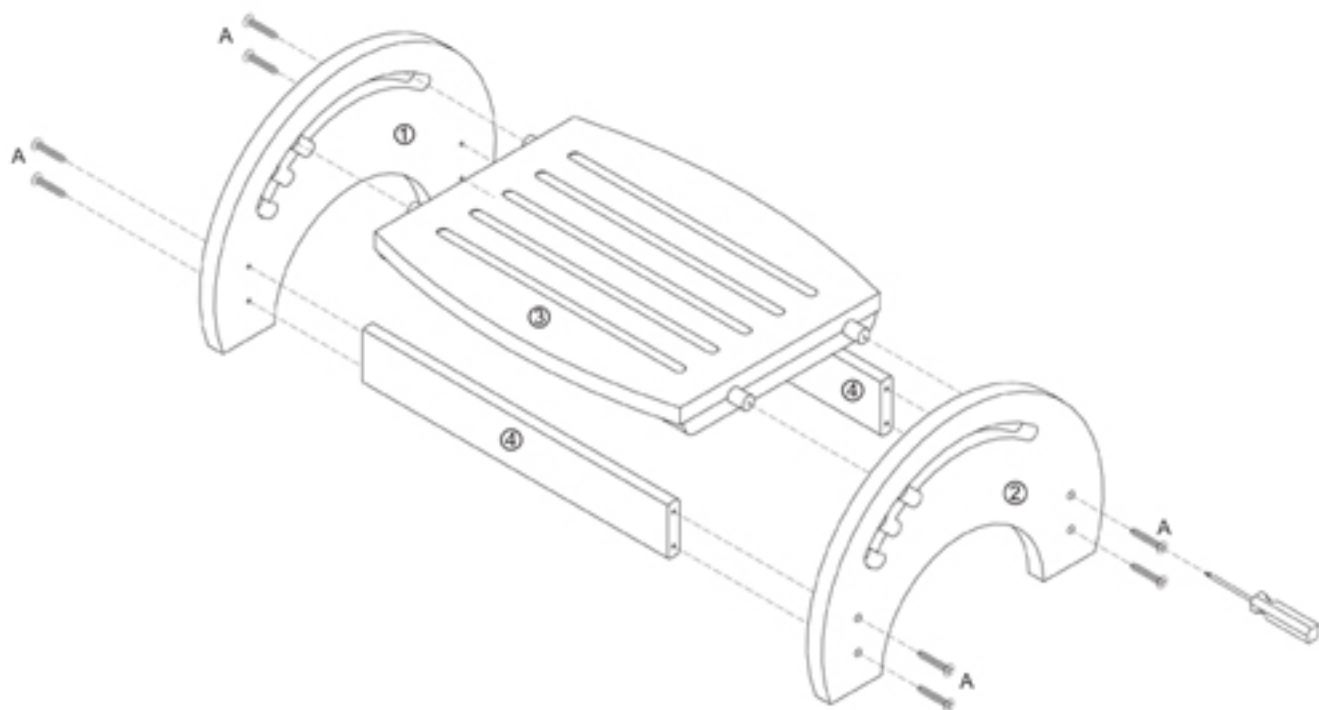


Phillips'  
screwdriver

### PARTS LIST



### Step 1



**CAUTION:** Adult assembly required.  
Hardware contains small screws with  
sharp points. Keep unassembled parts  
out of the reach of small children.

### USE AND MAINTENANCE:

-Use on level surfaces only  
-Please check assembly at regular intervals, and periodically tighten hardware if  
necessary. If maintenance is not carried out the product could overturn or fall.



### WARNING: CHOKING HAZARD

Unassembled parts may be a choking  
hazard to children 3 years and younger.