

Spindle Rocker

Assembly Instructions

Item #18301-18341

HARDWARE:

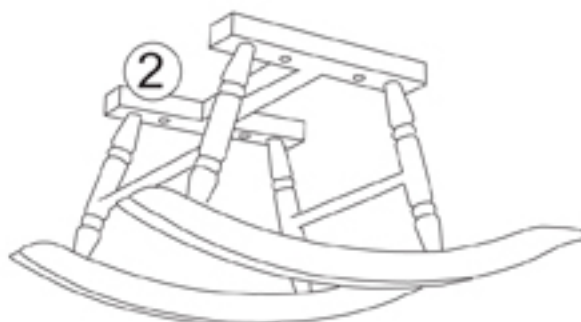
A. Cross Dowel Bolt x 4 pieces



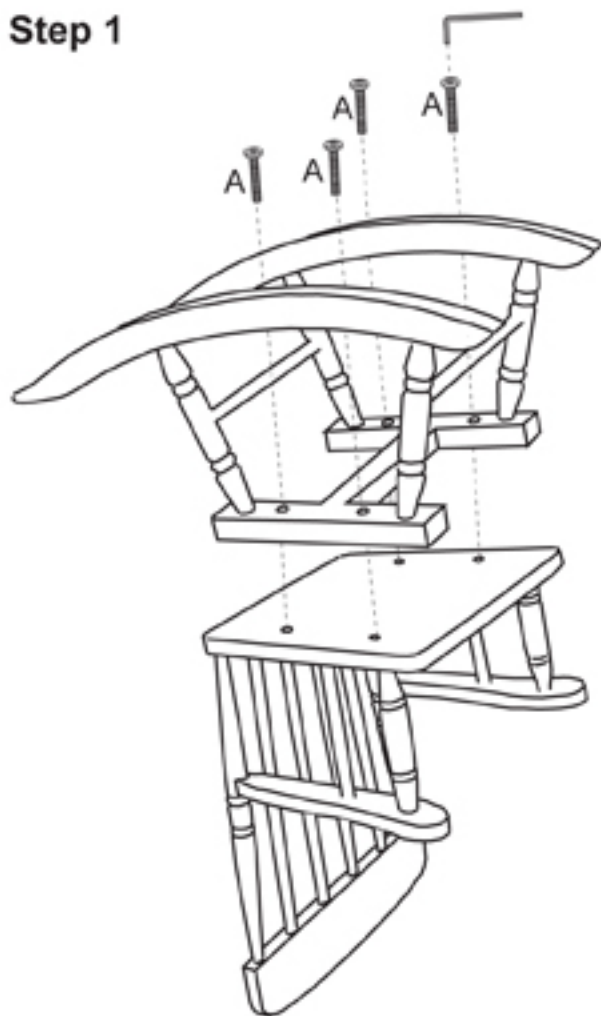
Allen Wrench x 1 piece



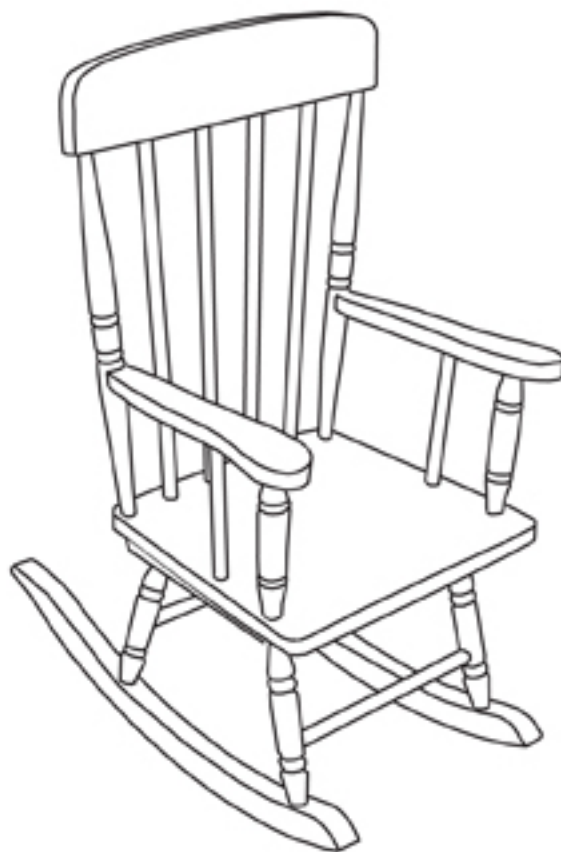
PARTS LIST:



Step 1



Complete



CAUTION: Adult assembly required. Hardware contains small screws with sharp points. Keep unassembled parts out of the reach of small children.

USE AND MAINTENANCE:

-Use on level surfaces only
-Please check assembly at regular intervals, and periodically tighten hardware of necessary. If maintenance is not carried out the product could over turn or fall



WARNING: CHOKING HAZARD

Unassembled parts may be a choking hazard to children 3 years of age and younger.